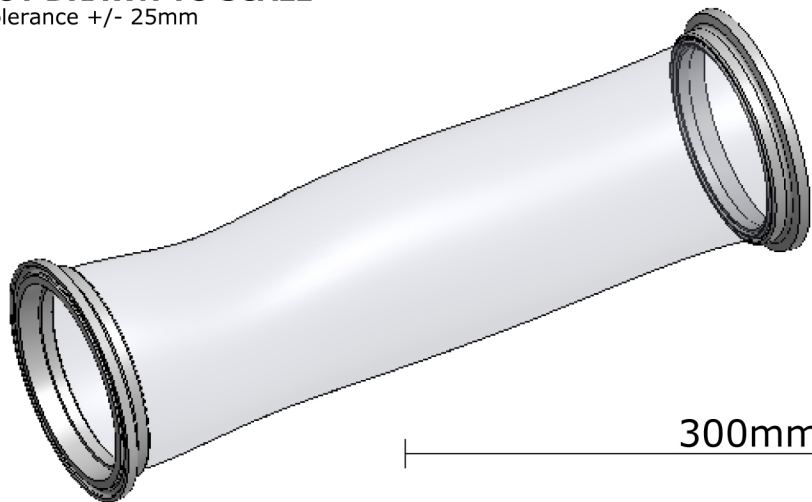
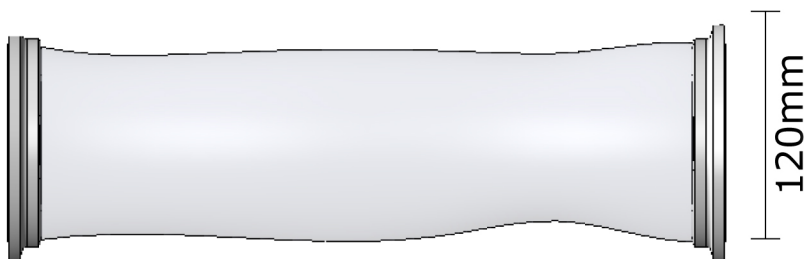


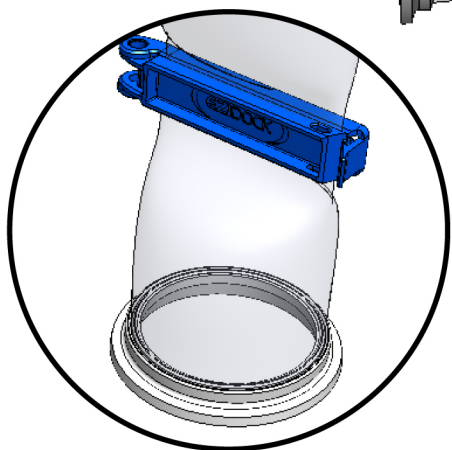
**NOT DRAWN TO SCALE**  
Tolerance +/- 25mm



300mm



120mm



OPTIONAL POWDER CLIP

Flexible Connector Chutes are available  
in a range of sizes and materials  
Transition Chutes - 2"/4"/6" available

## Technical Specification

### Materials

Connector Chutes are constructed from 2 ply 80 micron high performance LDPE. The film is manufactured using an FDA compliant Anti-Static Additive mixed at 3% which produces an average surface resistivity of  $10 \Omega^{11}$

The Polyethylene is additive free and does not contain antioxidant, antiblock or slip agents and complies with the relevant monographs of the European/US Pharmacopoeia.

The Ezi-Dock Docking Rings are produced from an EU/FDA Food Contact Compliant Materials.

### Manufacture

Connector Chutes are manufactured within a Class 10,000 (UN Class 7) cleanroom environment.

All sealing equipment is approved and calibrated for the manufacture of medical devices and has PLC data capture that records individual welding temperature, time and pressure.

Final assembly and individual sleeving of Ezi-Flow Chargebags is performed under a Class 100 (UN Class 5) Laminar Airflow Cabinet.

### Testing

All Ezi-Dock Connector Chutes are 100% examined for visible contaminants.

### Packing

Connector Chutes are individually sleeved and labelled.

### Relevant Certification

1. QAS International Certificate No: A13599: ISO 9001:2008 (The Design, Manufacture & Supply of Industrial Packaging Solutions, to the Food, Pharmaceutical, Biopharmaceutical & Fine Chemical Industries)
2. European Directive 2007/19/EEC Information Sheet (Plastics that come into contact with foodstuffs)
3. European Directive 2014/12/EC Information Sheet (No metal additives; less than 100ppm)
4. AT 4073 LD; Material compliance to FDA Code 21 section 178.3130(a) (Antistatic Agent)
5. FA3220 Statement on Compliance to Food Contact Regulations ; FDA, CFR Title 21 (2004); 177.1520 (a) (2), (b) and (c) 2.1 Olefin Polymers.



[www.ezidock.com](http://www.ezidock.com)

300mm Connector Chute with 100mm Tri-Clamp Fittings  
Part No: EZI-CCH-0430LD Drawing No: EZI-CCH-0430LD/2

Contained Technologies LLC, 21 Prestile Place, Robbinsville, NJ 08691, USA -  
Tel: 609-249-5821 [info@containedtech.com](mailto:info@containedtech.com) [www.containedtech.com](http://www.containedtech.com)

Drawn by  
**Steve McAleavy**  
[steve@ezidock.com](mailto:steve@ezidock.com)

January 2012