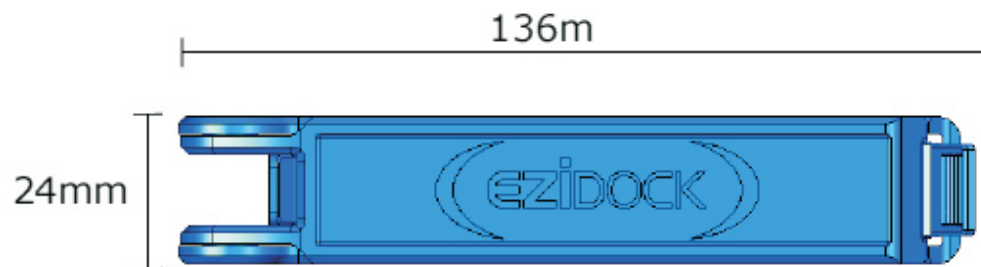
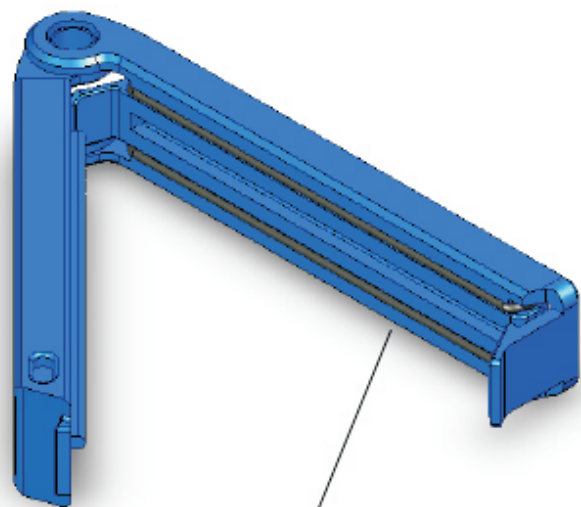
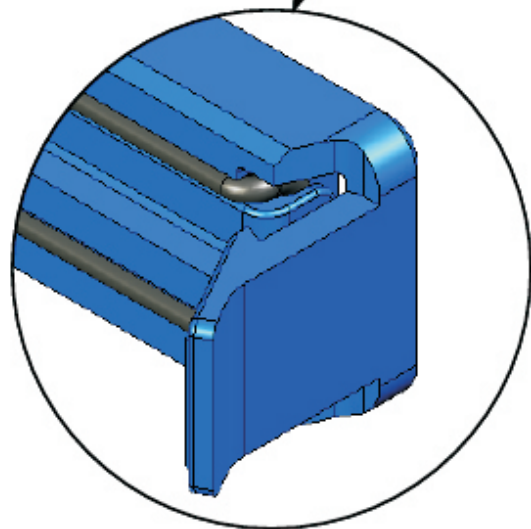
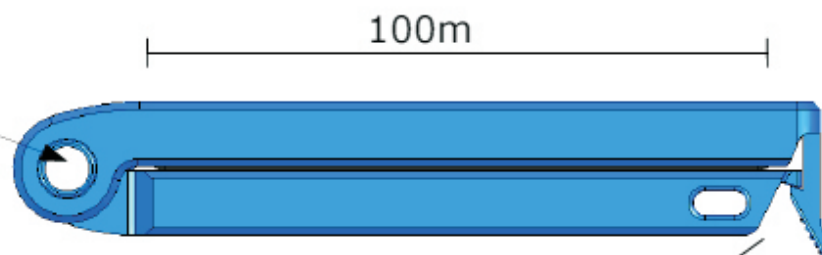


Materials of construction: Body - Glass Filled Nylon
Gasket - Buna-N (alternate available)

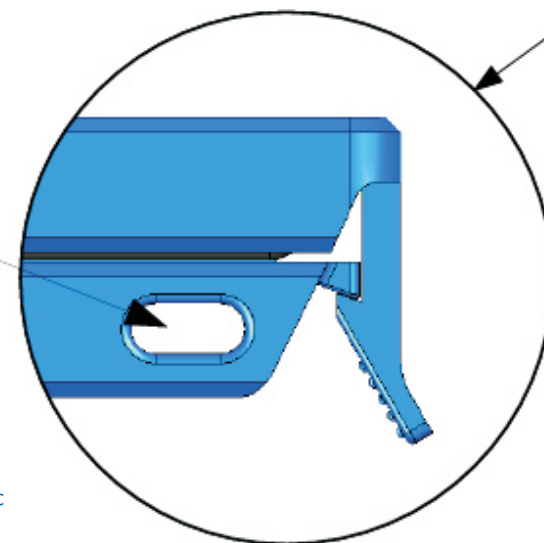


Hole suitable for tying off Ezi-Clip



Double Gasket + Crimp to ensure complete seal

Tie cord can be added for additional security



4inch /100mm Ezi-Clip Bag Closure

Part No: 8040100

Unit 3, Park Court, Park Lane Business Park, Kirkby in Ashfield Notts NG17 9LE, England

USA Distributor:- Contained Technologies LLC - www.containedtech.com

Drawn by
Steve McAleavy
steve@ezidock.com
28th January 2009